



AI FIREPLACE / BOOK CASE
Scale: NTS



FIREPLACE **AI**
Scale: NTS

DESIGNED BY
SHAI ZEEV
ABN: 47 640 715 279
6b Larman St, Bentleigh East 3165
Mob: 0407004576
E-mail: sales@thecabinetmerchant.com.au

PROJECT TITLE
HOME JOINERIES

CLIENT ADDRESS

CLIENT NAME
ANGELA



AI FLOATING DRAWER
Scale: NTS



AI BOOK CASE
Scale: NTS

DESIGNED BY
SHAI ZEEV
ABN: 47 640 715 279
6b Larman St, Bentleigh East 3165
Mob: 0407004576
E-mail: sales@thecabinetmerchant.com.au

PROJECT TITLE
HOME
JOINERIES

CLIENT ADDRESS

CLIENT NAME
ANGELA



AI TV UNIT
Scale: NTS



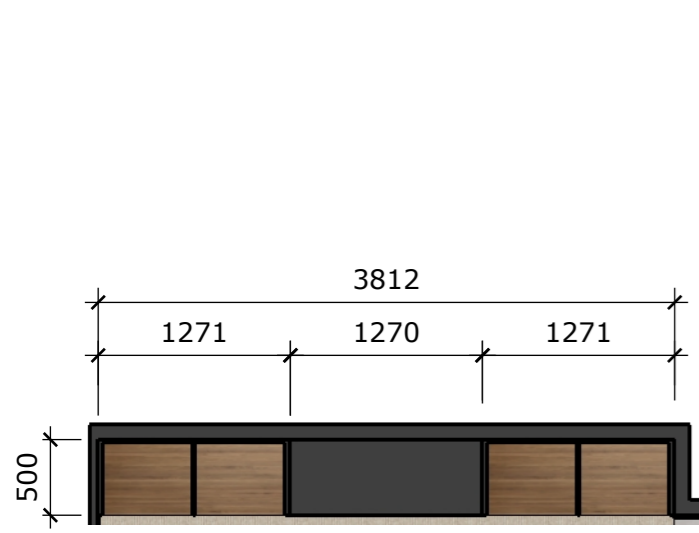
AI TV UNIT
Scale: NTS

DESIGNED BY
SHAI ZEEV
ABN: 47 640 715 279
6b Larman St, Bentleigh East 3165
Mob: 0407004576
E-mail: sales@thecabinetmerchant.com.au

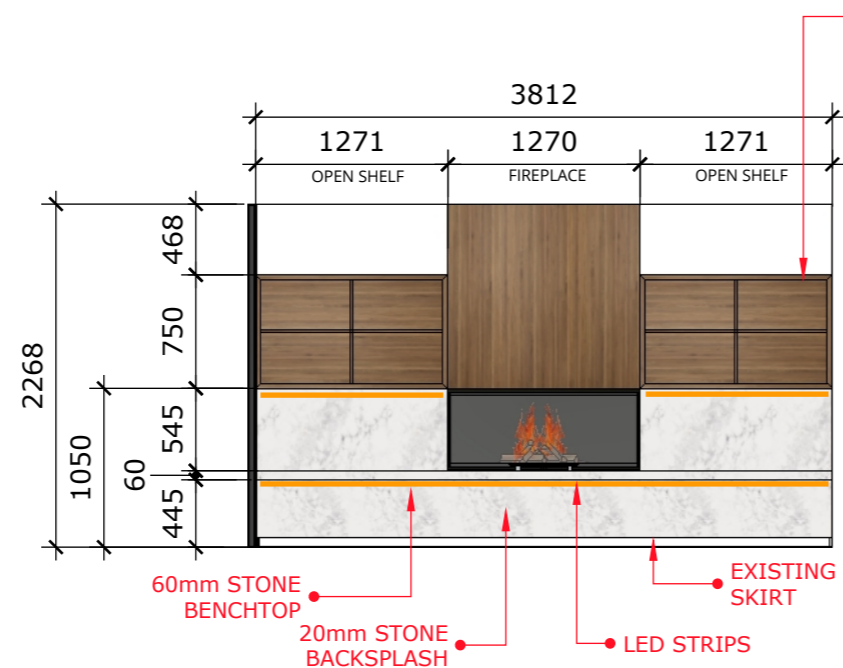
PROJECT TITLE
HOME
JOINERIES

CLIENT ADDRESS

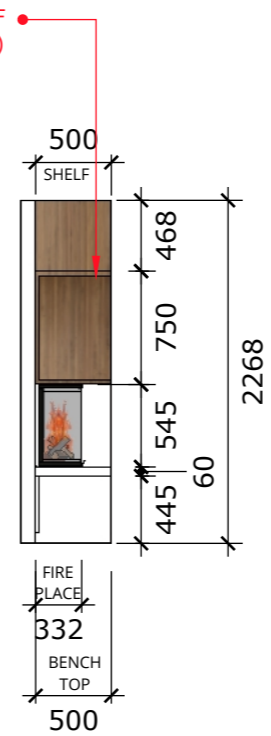
CLIENT NAME
ANGELA



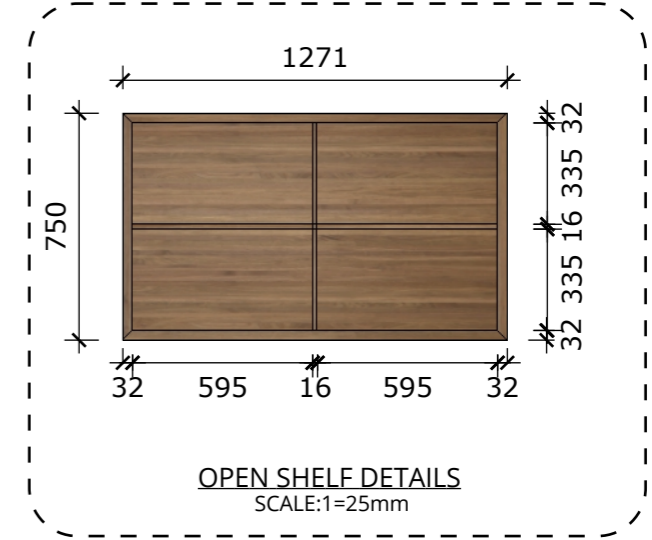
A :: FIREPLACE PLAN
001 scale: 1=50mm



A :: FIREPLACE FRONT ELEV
002 scale: 1=50mm



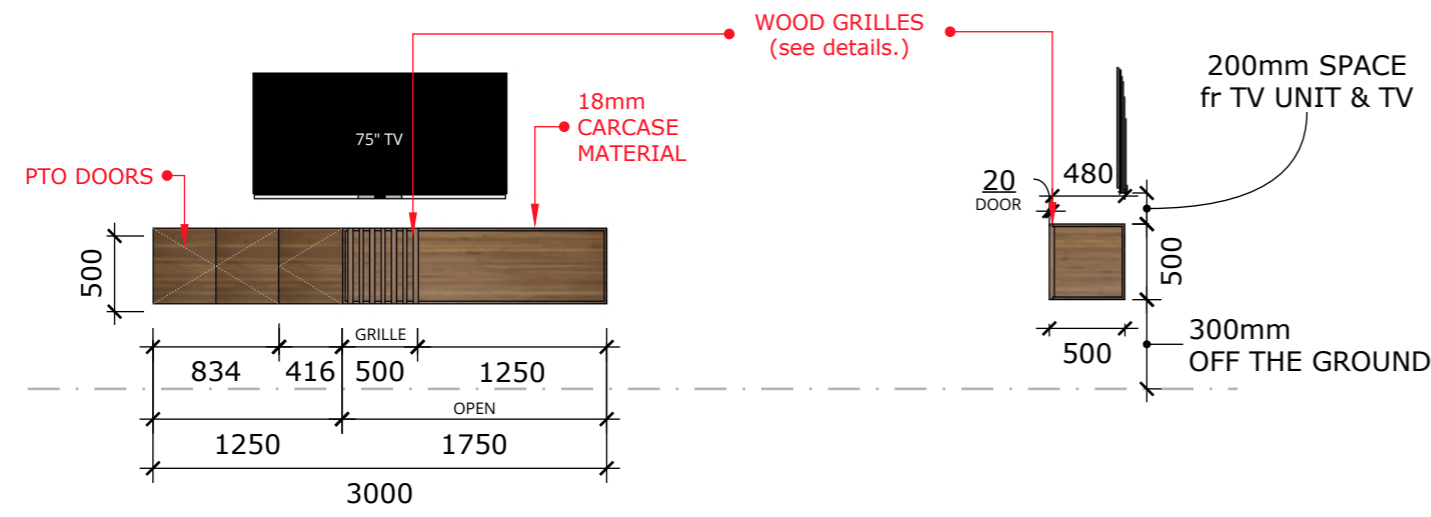
A :: FIREPLACE SECTION
003 scale: 1=50mm



OPEN SHELF DETAILS
SCALE:1=25mm

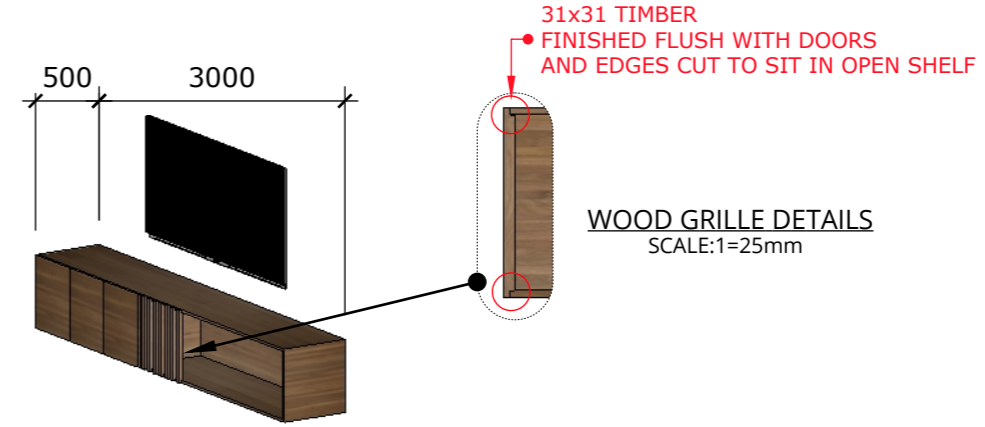
DESIGNED BY
SHAI ZEEV
ABN: 47 640 715 279
6b Larman St, Bentleigh East 3165
Mob: 0407004576
E-mail: sales@thecabinetmerchant.com.au

PROJECT TITLE
HOME
JOINERIES



A :: TV UNIT FRONT ELEV
004 scale: 1=50mm

A :: TV UNIT SECTION
005 scale: 1=50mm

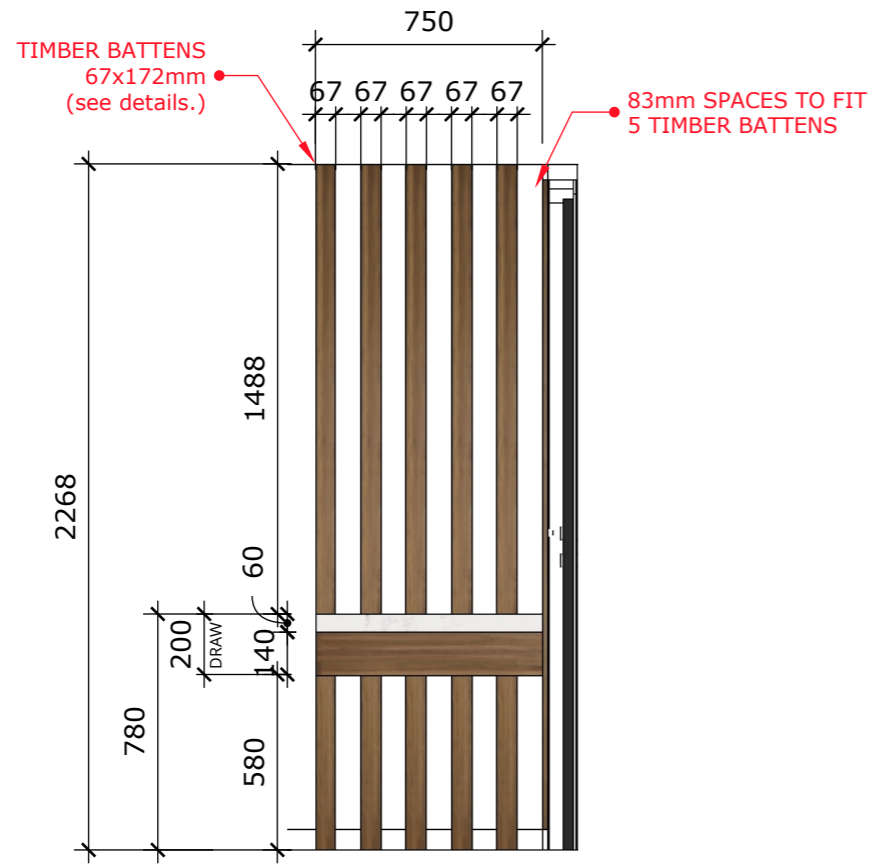


WOOD GRILLE DETAILS
SCALE:1=25mm

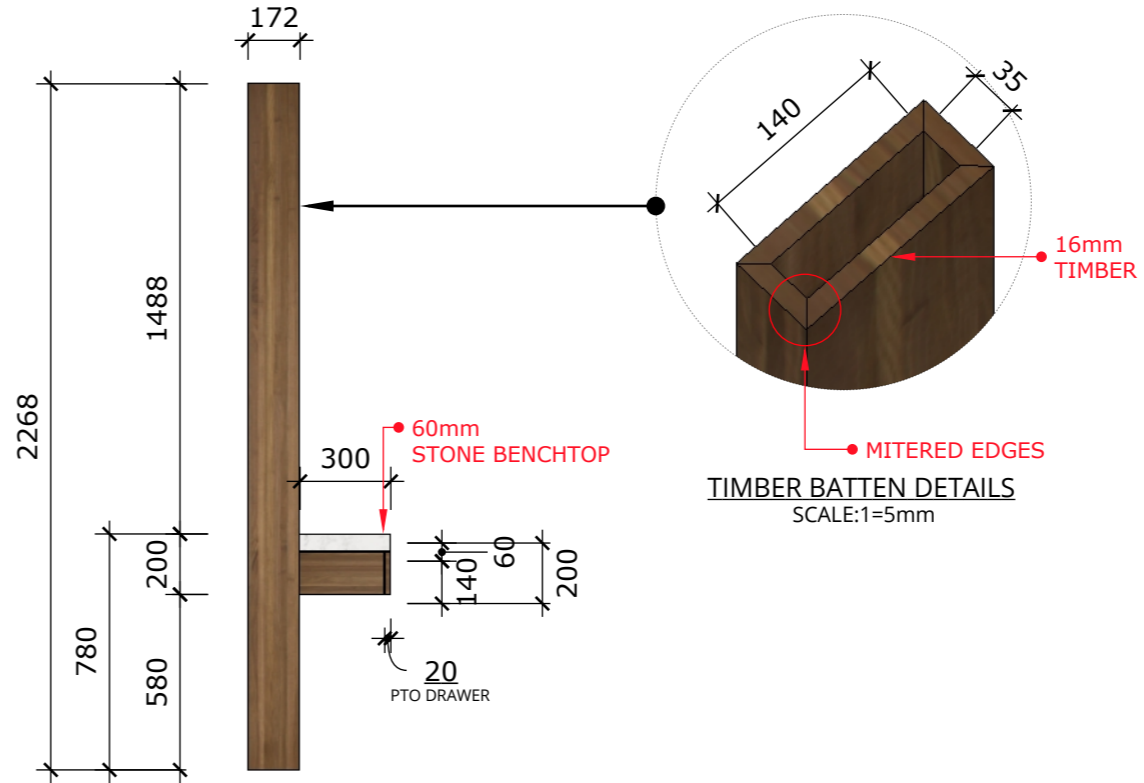
A :: TV UNIT ISOMETRIC
006 scale: 1=50mm

CLIENT ADDRESS

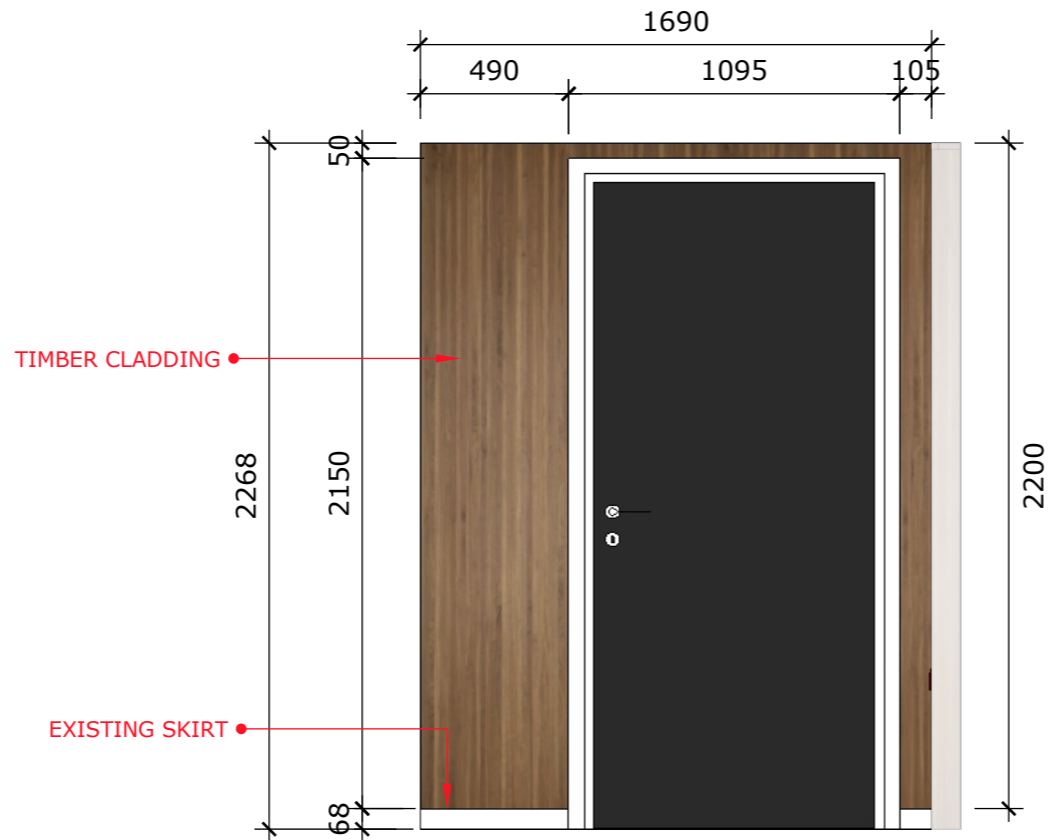
CLIENT NAME
ANGELA



A :: **TIMBER DIVIDER FRONT ELEV**
001 scale: 1=25mm



A :: **TIMBER DIVIDER SIDE ELEV**
002 scale: 1=25mm



A :: **WALL CLADDING ELEVATION**
003 scale: 1=25mm

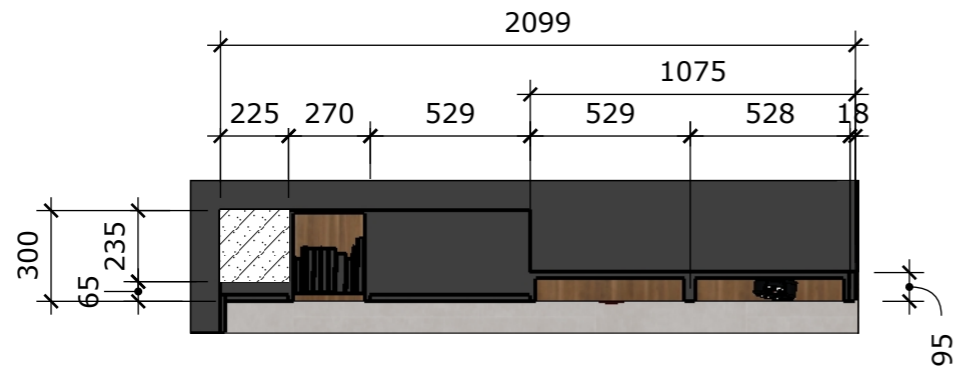
DESIGNED BY
SHAI ZEEV

ABN: 47 640 715 279
6b Larman St, Bentleigh East 3165
Mob: 0407004576
E-mail: sales@thecabinetmerchant.com.au

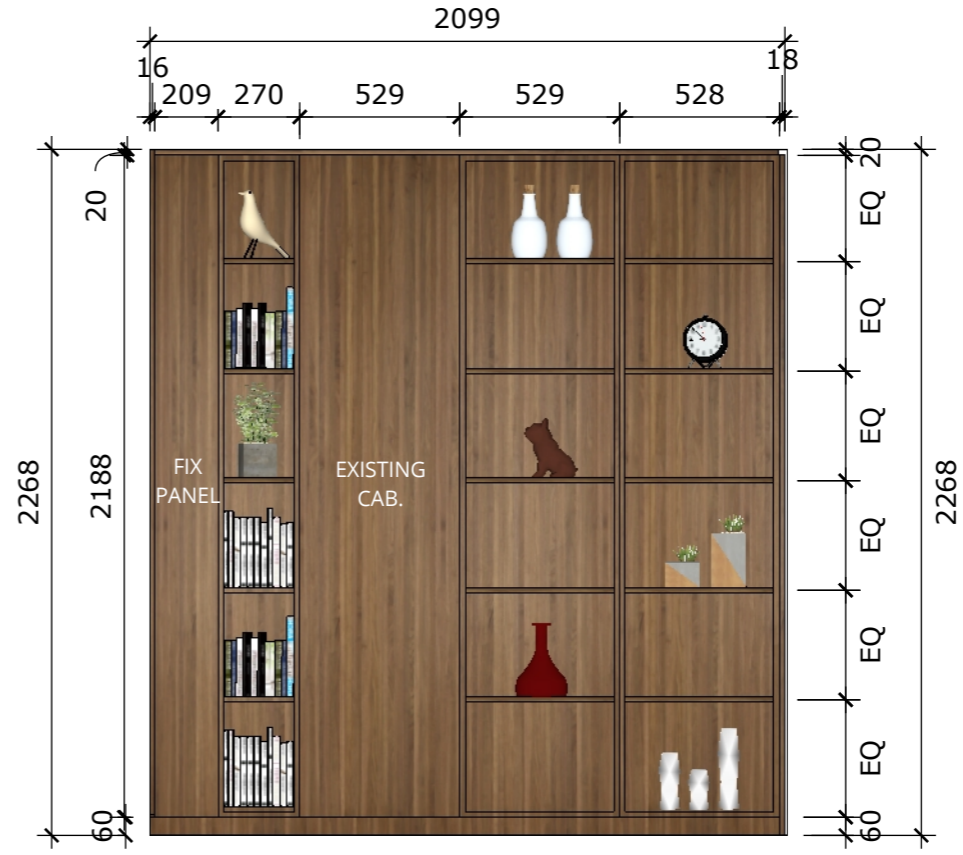
PROJECT TITLE
HOME
JOINERIES

CLIENT ADDRESS

CLIENT NAME
ANGELA



A :: BOOKCASE PLAN
001 scale: 1=25mm



A :: BOOKCASE PLAN
001 scale: 1=25mm